

BLUONE

F145



New Range "145"

| | |
|-----------------------------------|--------------------|
| Lifting Capacity: | 140 Kg. |
| Max. Arm Travel: | +1450 mm. -600 mm. |
| Time of Down-Lifting with Weight: | 23 sec. |
| Time of Up-Lifting with Weight: | 17 sec. |
| Total Weight: | 40 Kg. |
| Battery: | 24 V. |
| Power: | 12 V. |

Electro Control Box
External Battery Charger
Rotation:
Floor Plate-Mounting:

360°
40x40 cm.

Frame: Zinc Coated Stainless Steel
Powder Coating Finish

.:Remote Control.:

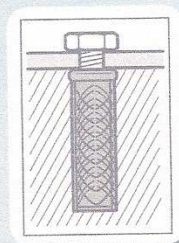
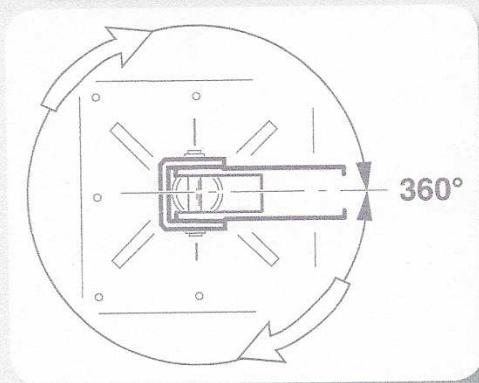
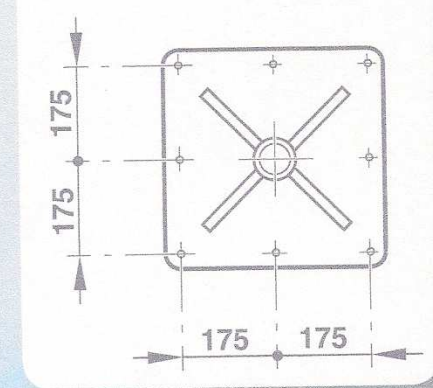
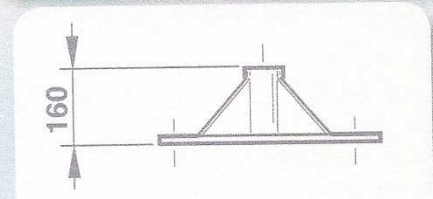
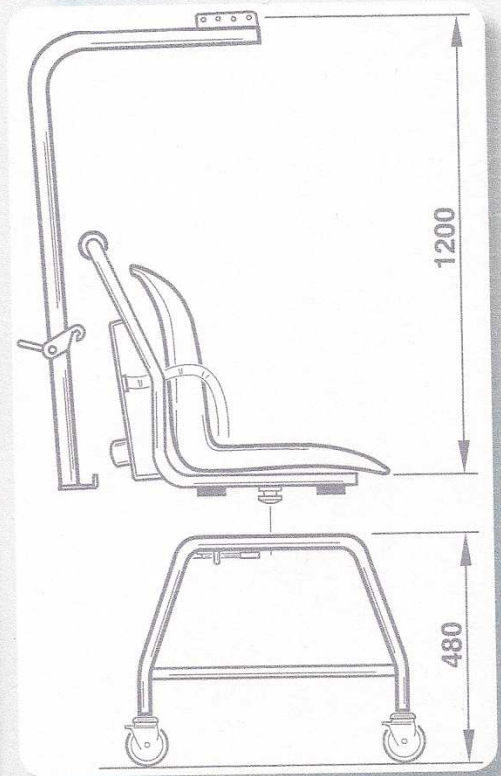
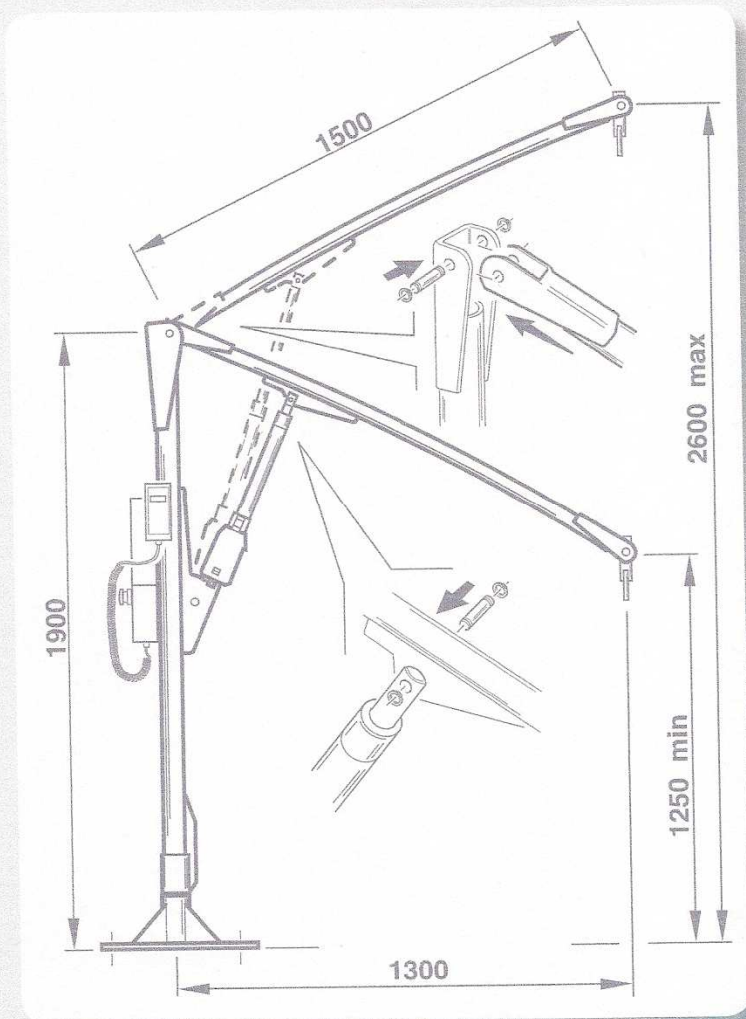
BEMAS s.r.o.
Železničná 607/6
SK-966 81 Žarnovica

www.bluone.sk
bluone@bluone.sk

Mobile: 00421 905 867 708
Mobile: 00421 911 995 727
Fax: 00421 45 233 1646

BLUONE

F145



N°8 tasselli Fisher
12 MA

BEMAS s.r.o.
Železničná 607/6
SK-966 81 Žarnovica

www.bluone.sk
bluone@bluone.sk

Mobile: 00421 905 867 708
Mobile: 00421 911 995 727
Fax: 00421 45 233 1646